



Brings To Commercial Free-Weight Products

THE MOST INNOVATIVE TECHNOLOGY
THE LONGEST WARRANTY
THE HIGHEST QUALITY
THE LOWEST PRICES



www.umaxstrength.com

UMAX THE ULTIMATE SERIES



URETHANE SOLID STEEL DUMBBELLS

6-YEAR WARRANTY against Loosening Weight Heads

6-YEAR WARRANTY against Structural Breakage

6-YEAR WARRANTY against Bent Handles

6-YEAR WARRANTY against Urethane Breakage

HANDLE OPTION: Urethane Soft Grips

HANDLE OPTION: Hard Chromed Classic Knurling

PERMANENT Laser Engraved Urethane Logos & Numbers

PERMANENT Laser Engraved Urethane Custom Logos

AVAILABLE up to 150LBS & in 2.5LB Increments up to 27.5LBS

URETHANE SOLID STEEL BARBELLS

6-YEAR WARRANTY against Loosening Weight Heads

6-YEAR WARRANTY against Structural Breakage

6-YEAR WARRANTY against Urethane Breakage

PERMANENT Laser Engraved Urethane Logos & Numbers

PERMANENT Laser Engraved Urethane Custom Logos

E-Z CURL & STRAIGHT BARS

AVAILABLE 20 – 110LBS, 5 & 10LB Increments



URETHANE OLYMPIC PLATES

10-YEAR WARRANTY against Metal Core Breakage

6-YEAR WARRANTY against Urethane Breakage

PATENTED GRIP DESIGN Provides Easier Handling

PERMANENT Laser Engraved Urethane Logos & Numbers

PERMANENT Laser Engraved Urethane Custom Logos

POUND & KILO Weight Indications

AVAILABLE 45, 35, 25, 10, 5, 2.5 LBS

UMAX series has the longest warranty in the industry by use of superior materials combined with innovative technologies owned by UMAX. Solid Steel Cores (weight heads) are coated with specially formulated cast polyurethane (CPU) for weathering high impact environments.

Dura-Edge technology (patent pending) further increases the durability of the urethane protection.

The weight heads are fastened to the handles made of heat-treated alloy steel (the strongest used in the industry) secured by patented **Dual-Lock** technology.



Dual-Lock: ELIMINATES LOOSENING that occurs in a single bolting assembly or welding assembly system. This patented technology incorporates two sets of bolting threads that interlock when tightened. The Dual-Lock handle or bar becomes a bolt when it screws into the head of a dumbbell or barbell and then becomes a nut when another bolt is screwed into the handle or bar from the opposite direction. Each bolting thread blocks the other from rotating and loosening even in heavy impact environments. **The Dual-Lock is Unsurpassed in Achieving Structural Stability.**

Dual-Lock: ENABLES THE USE OF HIGH STRENGTH DUMBBELL HANDLES. The high strength is achieved by heat treating alloy steel. However, the heat created in weld processing will anneal (weaken) the material. Dual-Lock technology eliminates the need of welds in dumbbell assembly so **The Strength of Our Dumbbell Handles is Never Compromised.**

Dual-Lock: UMAX CUSTOMERS BENEFIT BY PAYING LESS FOR BETTER PRODUCTS. Without welds and internal “forced” fastening mechanisms, this technology allows our dumbbells and barbells to be assembled from finished modular components that are already fully urethane encased or hard chrome plated. This reduces production cost and material loss compare to other assembling methods.



Dura-Edge: Allows extra urethane to be used on the front edge of dumbbells and barbells where they receive the most impact. More urethane at this critical point helps absorb the stress of impact that occurs in heavy use environments. **Dura-Edge** protects the structural stability of dumbbells and barbells and extends the life of the urethane coating.

DUMBBELL HANDLES

Material	Yield Strength	Used For
1018 Low Carbon	33,000 psi	Some Low End Dumbbells
1045 Medium Carbon	36,000 psi	Pro-Style Dumbbells and Welded Dumbbells
304 or 316 Stainless Steel	30,000 psi	Some Expensive Dumbbells
5140 Alloy Heat Treated	114,000 psi	UMAX Dual-Lock Dumbbells up to 70 lbs
4140 Alloy Heat Treated	135,000 psi	UMAX Dual-Lock Dumbbells 75 ~ 150 lbs

Our heat-treated alloy steel has superior yield strength and negates the need for overly thick handles and is too hard to embed coaser knurling (like good commercial 7' bars).

PROMAX SERIES

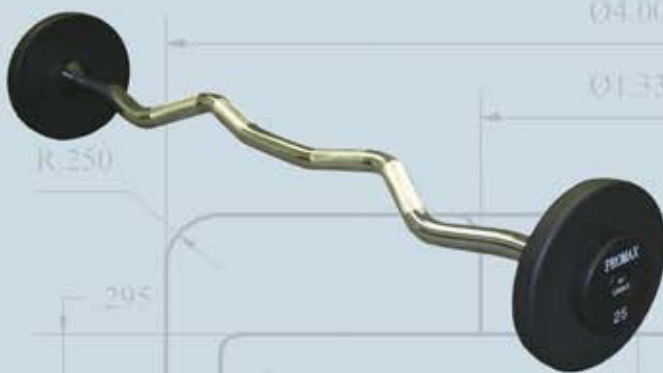
PROMAX series features Pro-Style dumbbells, barbells and Olympic plates with a proven Thermal Polyurethane (TPU) coating that we have used for years as an OEM in the commercial freewight industry. Compared to rubber, our proven TPU series provides better durability and appearance. Unlike rubber, urethane products are odorless and will not mark up floors or equipment, or become brittle from aging. PROMAX offers a significant upgrade from rubber weights, for about the same price.



King-Collar (patent pending) PROVIDES 3 TIMES MORE HOLDING POWER THAN A REGULAR COLLAR. It increases the holding surface by 3 times compared to most other brands' regular handles with smaller collars that "eat" into the plates or weight heads. King-Collar solves this problem.

PROMAX URETHANE DUMBBELLS

- KING-COLLARS TO CONTROL LOOSENING
- URETHANE COATED PLATES & END CAPS
- PERMANENT URETHANE LOGOS & NUMBERS
- PERMANENT CUSTOM URETHANE LOGOS
- 2-YEAR WARRANTY AGAINST BREAKAGE
- CLASSIC HARD CHROMED HANDLES
- SOFT GRIP URETHANE HANDLES AVAILABLE
- 5LBS TO 125LBS WITH 2.5LB INCREMENTS



PROMAX URETHANE BARBELLS

- KING-COLLAR TECHNOLOGY
- URETHANE COATED PLATES & END CAPS
- PERMANT URETHANE LOGOS & NUMBERS
- 2-YEAR WARRANTY AGAINST BREAKAGE
- E-Z CURL AND STRAIGHT BARS
- 20LBS TO 120 LB WITH 5 LB INCREMENTS

PROMAX URETHANE OLYMPIC PLATES

- PATENTED GRIP DESIGN
- URETHANE COATED WITH 3-YEAR WARRANTY
- 10-YEAR WARRANTY ON METAL CORE
- PERMANENT URETHANE LOGOS & NUMBERS
- 45 LBS, 35 LBS, 25 LBS, 10 LBS, 5 LBS, 2.5 LBS



FITMAX SERIES



US00D566207S

DESIGNED FOR TODAY'S TREND OF STREAMLINED SERVICE CLUBS
THE SERIES WITH PREMIUM APPEARANCE AT MODEST PRICE LEVEL

(54) WEIGHT PLATE

(76) Inventor: Guofang Cao, 2641 Shady Ridge Ln.

FITMAX URETHANE SOLID DUMBBELLS

- KING-COLLARS TO CONTROL LOOSENING
- THERMAL POLYURETHANE SOLID WEIGHT HEADS
- SOFT GRIP URETHANE HANDLES
- PERMANENT URETHANE LOGOS & NUMBERS
- PERMANENT URETHANE CUSTOM LOGOS
- 1-YEAR WARRANTY ON ALL COMPONENTS
- 5LBS - 100LBS, HALF SIZE UP TO 27.5LBS

13463,001	S	*	9/25/02	Hochman	11/21/08
6,702,723	B2	*	3/20/04	Lindair	4/23/03
6,746,380	B2	*	5/29/04	Linn et al.	4/27/06
D516,635				Quillion	D21/681
7,398					4/27/06
7,398					4/27/06



Toy In
2006 *

* class
Primary
(74) Anom

(57)

The ornamental design for a w

DESCRIPTION

FIG. 1 shows the front elevational view thereof, with the opposite side being a mirror image;

FIG. 2 shows the front perspective view of the weight plate showing my new design; and

FIG. 3 shows the bottom of the weight plate

FITMAX URETHANE SOLID BARBELLS

1 Claim, 2 Drawing Sheets

- KING-COLLAR TECHNOLOGY
- THERMAL POLYURETHANE SOLID WEIGHT HEADS
- PERMANENT URETHANE LOGOS & NUMBERS
- 1-YEAR WARRANTY AGAINST BREAKAGE
- E-Z CURL AND STRAIGHT BARS
- 20LBS - 110LBS WITH 5LB INCREMENT



FITMAX OLYMPIC PLATES

- GRIP PLATE AT THE MOST AFFORDABLE PRICE
- PATENTED DESIGN
- BAKED ENAMEL FINISH
- 10-YEAR WARRANTY AGAINST METAL BREAKAGE
- 45 LBS, 35 LBS, 25 LBS, 10 LBS, 5 LBS, 2.5 LBS



OLYMPIC STYLE BARS

Boltless Sleeve --- BOLTLESS SLEEVES ARE MAINTENANCE FREE BY ELIMINATING THE LOOSENING PROBLEMS inherent in other bars. This is achieved by incorporating two retainer rings to hold the sleeves in position.



HARD CHROMED SLEEVES AND BARS

135,000 YIELD STRENGTH HEAT-TREATED ALLOY STEEL FOR 7' BARS

DROP-FORGED ONE PIECE SLEEVES

MAINTENANCE FREE BOLT-LESS ASSEMBLY

5-YEAR WARRANTY AGAINST BREAKAGE

(12) Cao, U.S. Patent No. 7,541,545 B2
 Date of Patent: Mar. 11, 2008

(54) TORQUE-RELEASING MECHANISM FOR FITNESS TRAINING EQUIPMENT

(76) Inventor: Guofang Cao, 22801 #1, Diamond Bar, CA (US) 91765

(* *) Notice: Subject to any disclaimer, the term of this patent is extended or adjusted under 35 U.S.C. 154(a)(1) by 330 days.

(21) Appl. No. 10/709,803

(22) Filed: May 28, 2004

(65) US 2005/0266968 A1 Dec. 1, 2005

(51) Int. Cl. A63B 21/06 (2006.01)

(52) U.S. Cl. 482/83; 482/87; 403/150

(58) Field of Classification Search: 482/89; 482/86-89; 93-109; 403/150, 151, 157
 See application file for complete search history.

(56) References Cited

U.S. PATENT DOCUMENTS

576,574 A * 2/1897 - Cain 5955

2 Claims, 6 Drawing Sheets

(57) ABSTRACT

use, will build up undesired torque, due to irregular and unpredictable turns and spins. Such accumulated and undesired torque has a tendency to cause the cable to derail from the grooves on the gears it is supposed to stay and slide. The grab bar of the present invention effectively releases the undesired torque and restores the cable to its neutral and relaxed state, so that the fitness equipment will experience less malfunctioning, and user safety is enhanced.

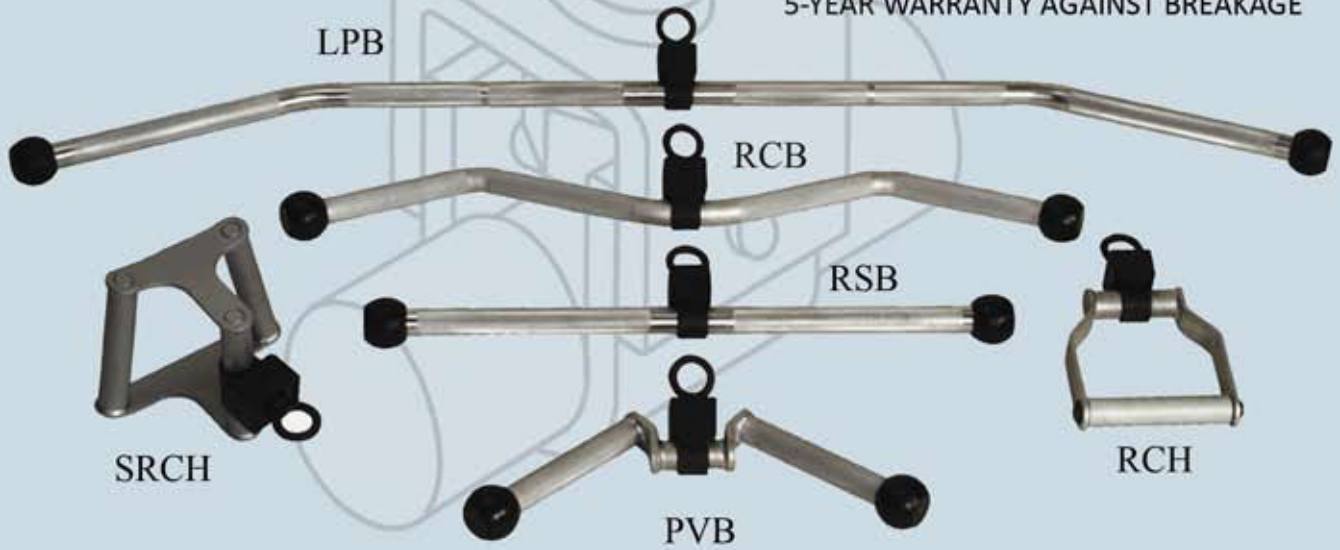


CABLE ATTACHMENTS

3D-Rotation --- THIS PATENTED TECHNOLOGY IS **EXCLUSIVELY OWNED BY UMAX**. 3D-Rotation reduces liability, cost and maintenance from torque-caused damage to cables and belts by allowing handles to rotate freely. It provides users with a better workout.



3D ROTATION TECHNOLOGY
 HARD CHROME PLATED
 5-YEAR WARRANTY AGAINST BREAKAGE



UMAX URETHANE BEAUTY BELLS

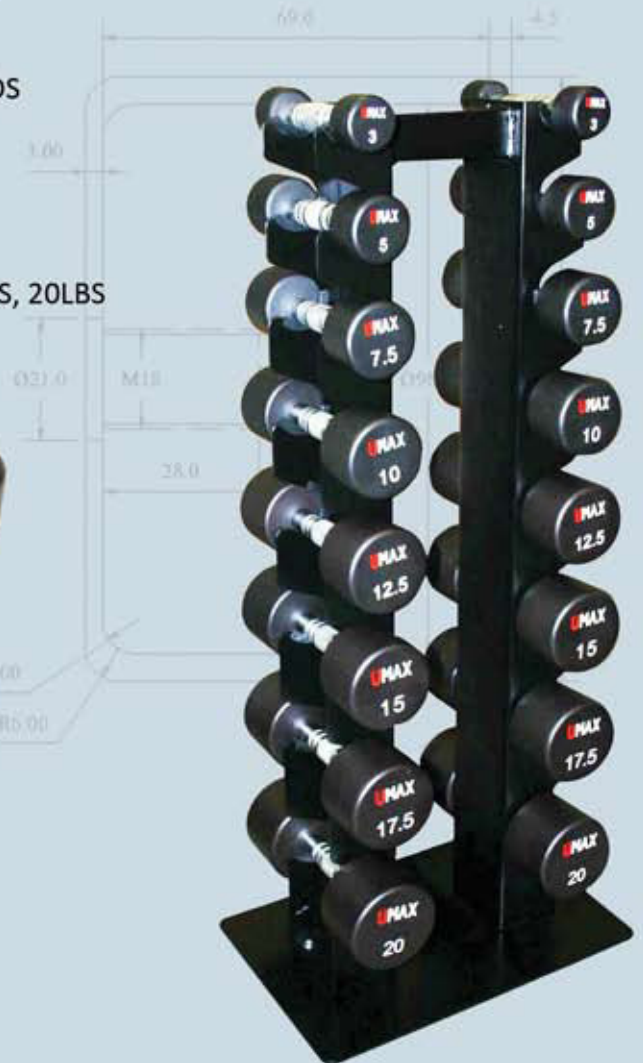
URETHANE COATED SOLID STEEL DUMBBELL HEADS

HARD CHROMED HANDLES

5-YEAR WARRANTY AGAINST BREAKAGE

PERMANENT URETHANE LOGOS & NUMBERS

3LBS, 5LBS, 7.5LBS, 10LBS, 12.5LBS, 15LBS, 17.5LBS, 20LBS



UMAX URETHANE AEROBIC BELLS

ENTIRELY URETHANE COATED

PERMANENT URETHANE NUMBERS

5-YEAR WARRANTY

1 LB - 10 LB IN 1 LB INCREMENTS

REFERENCES

	UMAX Series	PROMAX Series	FITMAX Series
Dumbbell Handles	Heat Treated Alloy Steel Soft-Grip Urethane Coated or Hard Chrome Plated	1045 Steel Hard Chrome Plated	1045 Steel TPU Coated Soft-Grip
Heads or Plates	Solid Steel Drua-Edge Urethane Coating	Cast Iron TPU Coating	Cast Iron TPU Coating
Assembly	Dual-Lock	King-Collar	King-Collar
Warranty Dumbbells Barbells	6-Year Warranty	2-Year Warranty	1-Year Warranty
Warranty Olympic Plates	10-Year on Metal Breakage 6-Year on Urethane Coating	10-Year on Metal Breakage 3-Year on TPU Coating	10-Year on Metal Breakage No Warranty on Painting
Sizes Available Dumbbells	5 ~ 150 lbs in 5 lb Increments Half Sizes: 7.5 ~ 27.5 lbs.	5 ~ 125 lbs/5 lb Increments Half Sizes: 7.5 ~ 52.5 lbs.	5~100 lbs/5 lb Increments Half Sizes: 7.5~27.5 lbs
Sizes Available Barbells	20 ~ 110 lbs in 5 lb Increments	20 ~ 110 lbs in 5 lb Increments	20 ~ 110 lbs in 5 lb Increments
Sizes Available Oly Plates	2.5 lb, 5 lb, 10 lb 25 lb, 35 lb, 45 lb.	2.5 lb, 5 lb, 10 lb 25 lb, 35 lb, 45 lb.	2.5 lb, 5 lb, 10 lb 25 lb, 35 lb, 45 lb.
Suggested Usage	Built to Exceed The Most Demanding Requirements	All Commercial Gyms & Weight Rooms	Image Conscious Facilities with Less Rigorous Weight Use Needs

WARRANTY

UMAX will replace or repair any parts for the products covered under warranty.

Warranty does not cover damages caused by abuse of any kind, outdoor uses or using the products for the purposes other than physical exercise.

Warranty only covers the products for the original purchaser.

UMAX STRENGTH

13901 Magnolia Avenue, Chino, CA 91710
 (909) 627-2488 (888) 851-8989 Fax (909) 627-8988
www.umaxstrength.com info@umaxstrength.com